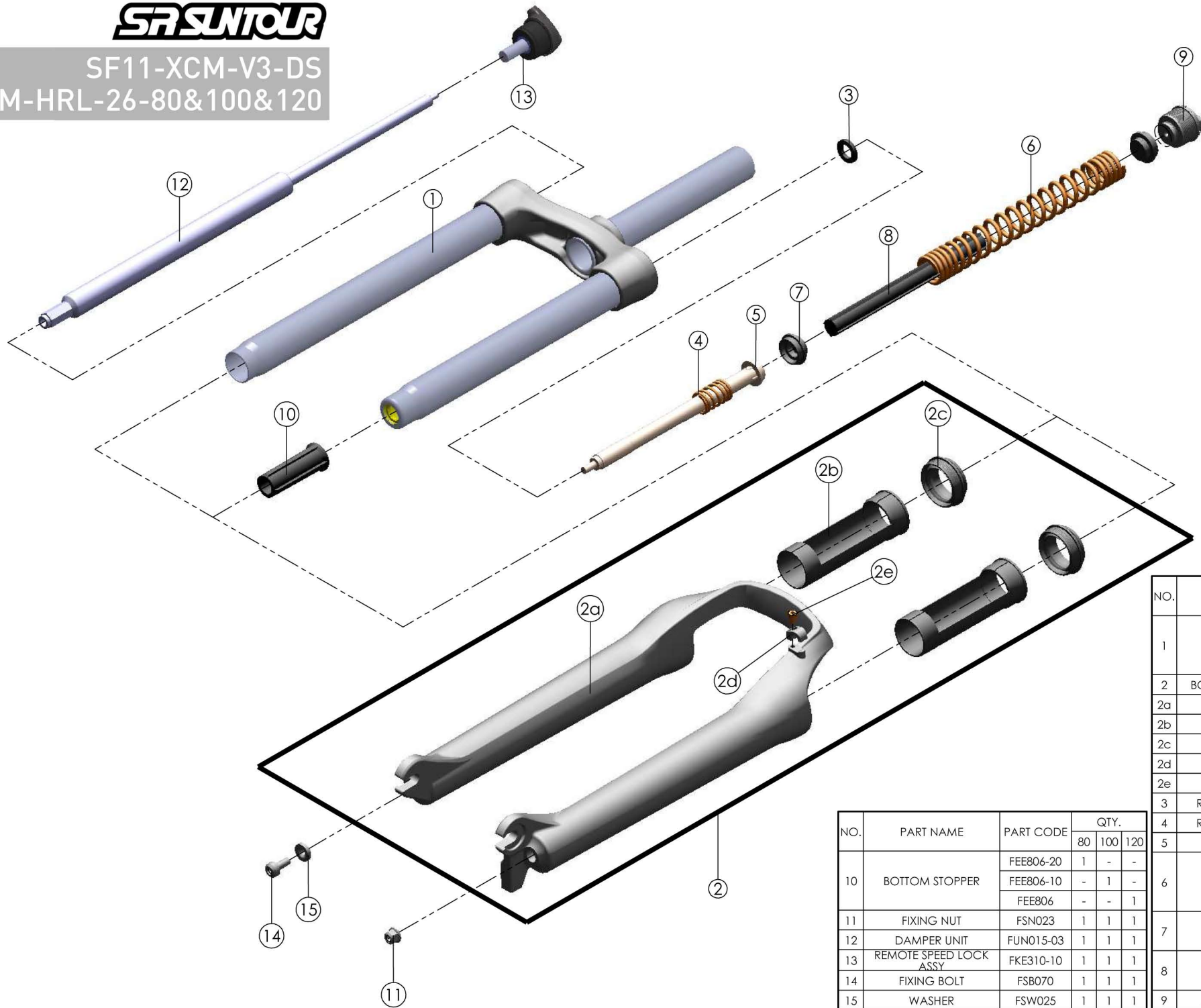


SUNTOUR

SF11-XCM-V3-DS
PM-HRL-26-80&100&120



NO.	PART NAME	PART CODE	QTY.		
			80	100	120
1	UPPER ASSY	FKE356-31	1	-	-
		FKE356-41	-	1	-
		FKE356-50	-	-	1
2	BOTTOM CASE ASSY	FKE357	1	1	1
2a	BOTTOM CASE	FPB277	1	1	1
2b	SLIDER SLEEVE	FEE785	2	2	2
2c	DUST SEAL	FAA070-20	2	2	2
2d	HOSE GUIDE	FEE797	1	1	1
2e	BOLT	FSB153	1	1	1
3	REBOUND RUBBER	FEP053	1	1	1
4	REBOUND SPRING	FEP189-20	1	1	1
5	SUPPORT TUBE	FEE800	1	1	1
6	MAIN SPRING	FEP439	1	-	-
		FEP438	-	1	-
		FEP447	-	-	1
7	SPRING GUIDE	FEE434-10	2	2	-
		FEE434-20	-	-	2
8	DAMPER	FEP322-20	1	-	1
		FEP320-20	-	1	-
9	ADJUST SYSTEM	FKE009-11	1	1	1

NO.	PART NAME	PART CODE	QTY.		
			80	100	120
10	BOTTOM STOPPER	FEE806-20	1	-	-
		FEE806-10	-	1	-
		FEE806	-	-	1
11	FIXING NUT	FSN023	1	1	1
12	DAMPER UNIT	FUN015-03	1	1	1
13	REMOTE SPEED LOCK ASSY	FKE310-10	1	1	1
14	FIXING BOLT	FSB070	1	1	1
15	WASHER	FSW025	1	1	1