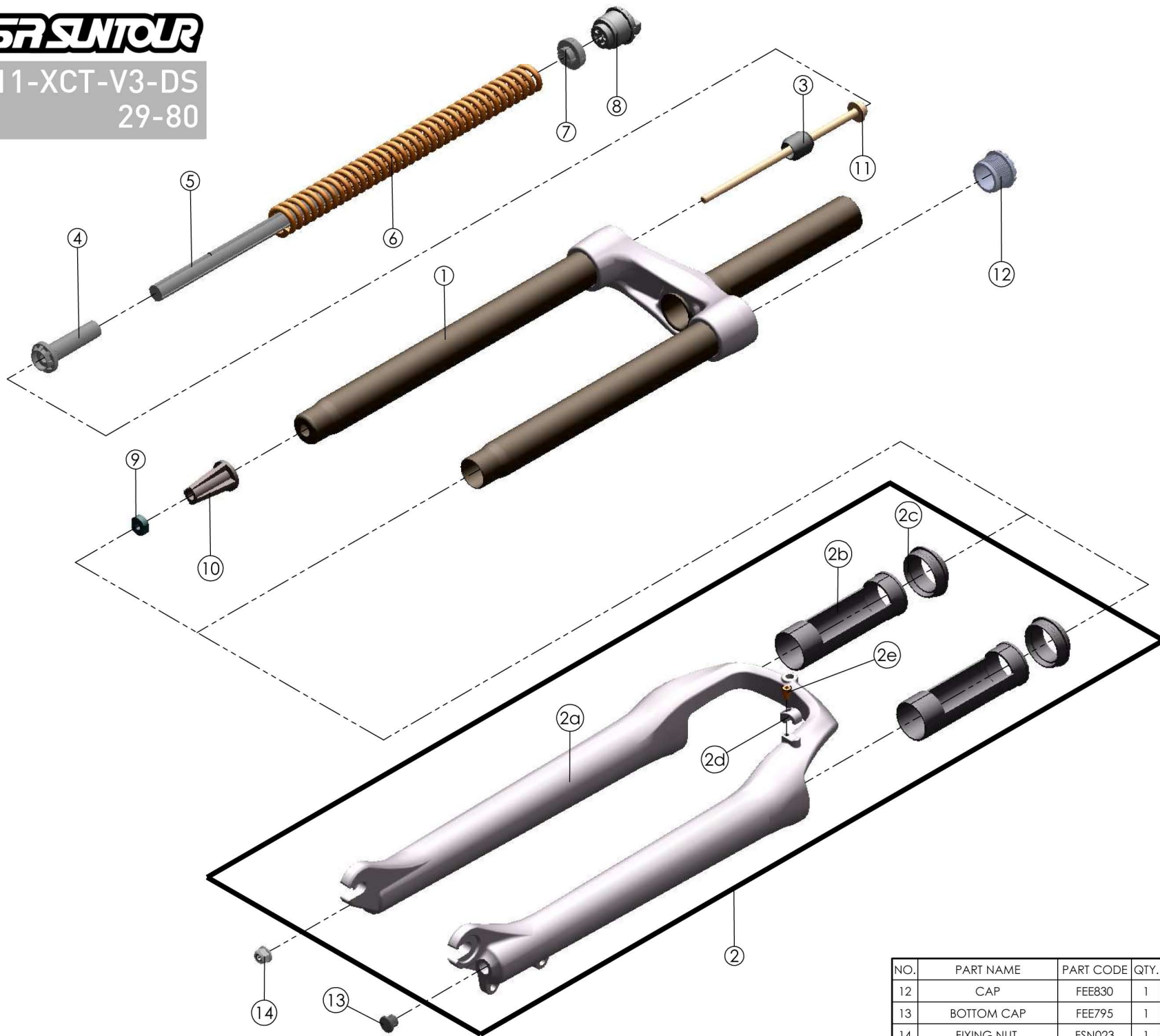


SUNTOUR

SF11-XCT-V3-DS
29-80



| NO. | PART NAME | PART CODE | QTY. |
|-----|------------|-----------|------|
| 12 | CAP | FEE830 | 1 |
| 13 | BOTTOM CAP | FEE795 | 1 |
| 14 | FIXING NUT | FSN023 | 1 |

| NO. | PART NAME | PART CODE | QTY. |
|-----|-----------------------|-----------|------|
| 1 | UPPER ASSY | FKE354-01 | 1 |
| 2 | BOTTOM CASE ASSY | FKE355 | 1 |
| 2a | BOTTOM CASE | FPB279 | 1 |
| 2b | SLIDER SLEEVE | FEE942 | 2 |
| 2c | DUST SEAL | FAA125-40 | 2 |
| 2d | HOSE GUIDE | FEE797 | 1 |
| 2e | BOLT | FSB153 | 1 |
| 3 | REBOUND RUBBER | FEP086 | 1 |
| 4 | SPRING GUIDE LOWER | FEE502-20 | 1 |
| 5 | DAMPER | FEP131-06 | 1 |
| 6 | MAIN SPRING | FEP350 | 1 |
| 7 | SPRING GUIDE UPPER | FEE389-30 | 1 |
| 8 | CONTROL ADJUST SYSTEM | FKE008-11 | 1 |
| 9 | NUT PLATE | FSN025 | 1 |
| 10 | BOTTOM STOPPER | FEE909-00 | 1 |
| 11 | FIXING BOLT | FSB159-02 | 1 |