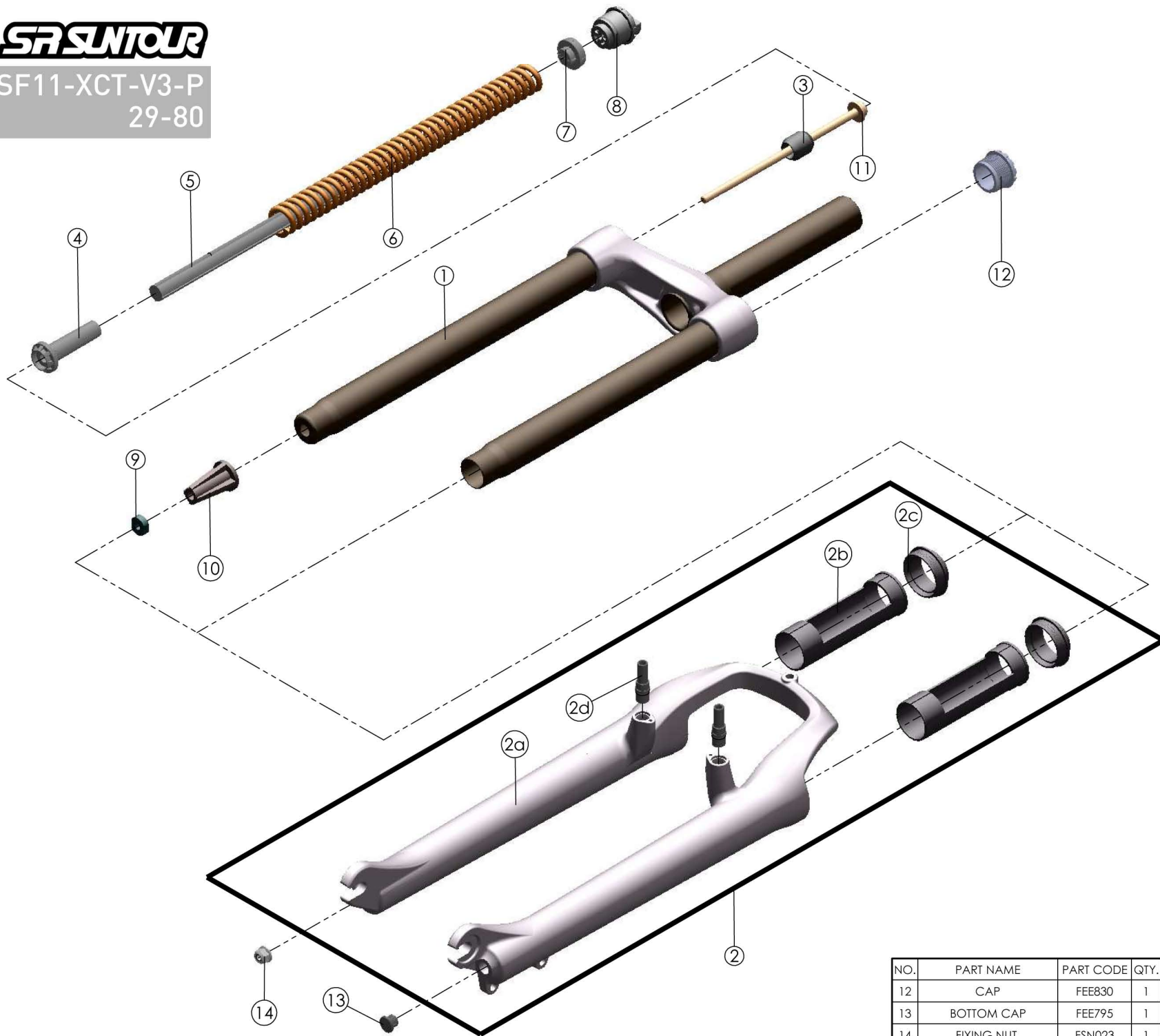


SUNTOUR

SF11-XCT-V3-P
29-80



NO.	PART NAME	PART CODE	QTY.
12	CAP	FEE830	1
13	BOTTOM CAP	FEE795	1
14	FIXING NUT	FSN023	1

NO.	PART NAME	PART CODE	QTY.
1	UPPER ASSY	FKE354-01	1
2	BOTTOM CASE ASSY	FKE387	1
2a	BOTTOM CASE	FPB299	1
2b	SLIDER SLEEVE	FEE942	2
2c	DUST SEAL	FAA125-40	2
2d	CANTI BOSS	FSB241-16	2
3	REBOUND RUBBER	FEP086	1
4	SPRING GUIDE LOWER	FEE502-20	1
5	DAMPER	FEP131-06	1
6	MAIN SPRING	FEP350	1
7	SPRING GUIDE UPPER	FEE389-30	1
8	CONTROL ADJUST SYSTEM	FKE008-11	1
9	NUT PLATE	FSN025	1
10	BOTTOM STOPPER	FEE909-00	1
11	FIXING BOLT	FSB159-02	1