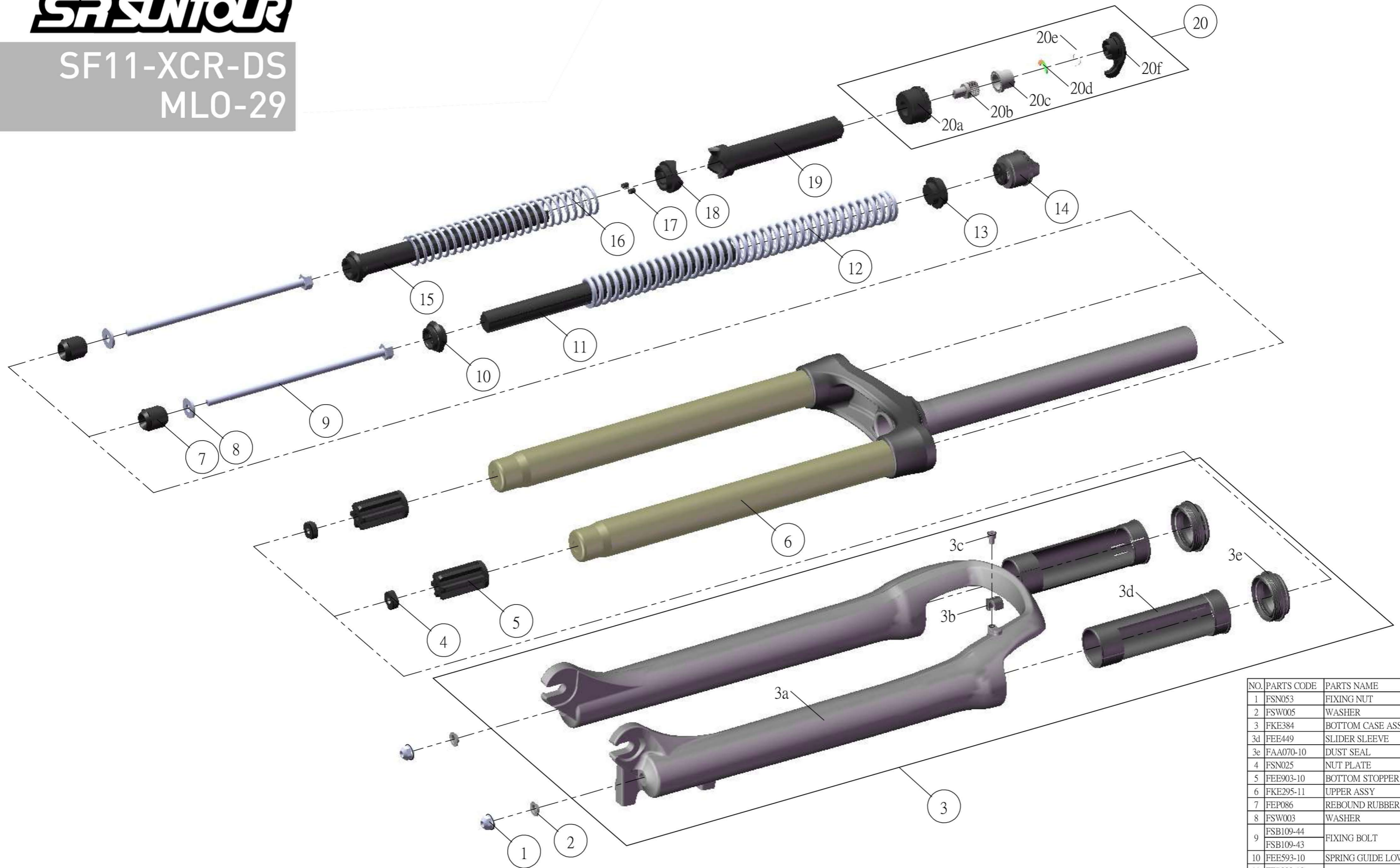


SUNTOUR

SF11-XCR-DS
MLO-29



NO.	PARTS CODE	PARTS NAME	80	100	QT
1	FSN053	FIXING NUT	*	*	2
2	FSW005	WASHER	*	*	2
3	FKE384	BOTTOM CASE ASSY	*	*	1
3d	FEE449	SLIDER SLEEVE	*	*	2
3e	FAA070-10	DUST SEAL	*	*	2
4	FSN025	NUT PLATE	*	*	2
5	FEE903-10	BOTTOM STOPPER	*	*	2
6	FKE295-11	UPPER ASSY	*	*	1
7	FEP086	REBOUND RUBBER	*	*	2
8	FSW003	WASHER	*	*	2
9	FSB109-44	FIXING BOLT	*	*	2
9	FSB109-43	FIXING BOLT	*	*	2
10	FEE593-10	SPRING GUIDE LOWER	*	*	1
11	FEP322-10	DAMPER	*	*	1
12	FEP326-10	MAIN SPRING	*	*	1
12	FEP323-30	MAIN SPRING	*	*	1
13	FEE592-10	SPRING GUIDE UPPER	*	*	1
14	FKE009-12	ADJUSTER ASSY	*	*	1
15	FEE590-10	LOWER STOPPER	*	*	1
16	FEP324-10	SUB SPRING	*	*	1
17	FEP263	BOTTOM DAMPER	*	*	2
18	FEE591-10	LOWER INDEX	*	*	1
19	FEE589-10	UPPER STOPPER	*	*	1
20	FKE078-12	MLO TOP CAP ASSY	*	*	1